



1

MATERIAL

Aluminium bar, with antibacterial epoxy resin coating, RAL 9016 white colour.



2

STANDARD EXECUTION

Threaded blind holes.



3

FEATURES AND APPLICATIONS

GN 426-WSA handles have a zinc molybdate-based powder coating which gives them antibacterial properties.

The principle of action, which is activated by the presence of humidity, reduces the growth of bacteria within 24 hours, down to less than 0.2% of the original number of microbes.

They are generally used in the healthcare sector, in public buildings such as airports, railway stations, stadiums, etc.



4



5



6



7

SPECIAL EXECUTIONS ON REQUEST

- Different lengths.



8



9



10



11



12



13



14



15



16



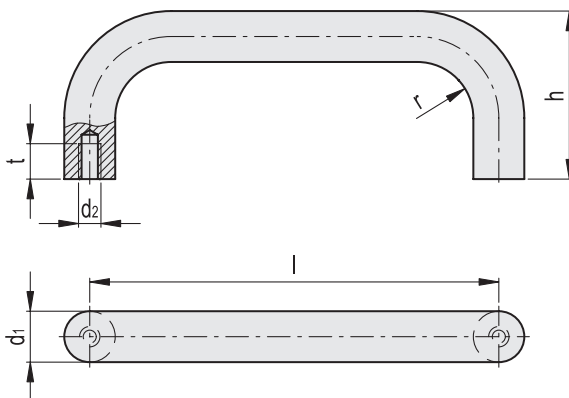
17



18



19



Code	Description	d1	l±0.25	d2	h	r	tmin	△
GN.26813	GN 426-AL-20-200-WSA	20	200	M8	68	22	15	240
GN.26818	GN 426-AL-20-250-WSA	20	250	M8	68	22	15	280
GN.26823	GN 426-AL-20-300-WSA	20	300	M8	68	22	15	320
GN.26834	GN 426-AL-28-250-WSA	28	250	M10	78	32	15	290
GN.26847	GN 426-AL-28-300-WSA	28	300	M10	78	32	15	330
GN.26857	GN 426-AL-28-400-WSA	28	400	M10	78	32	15	415